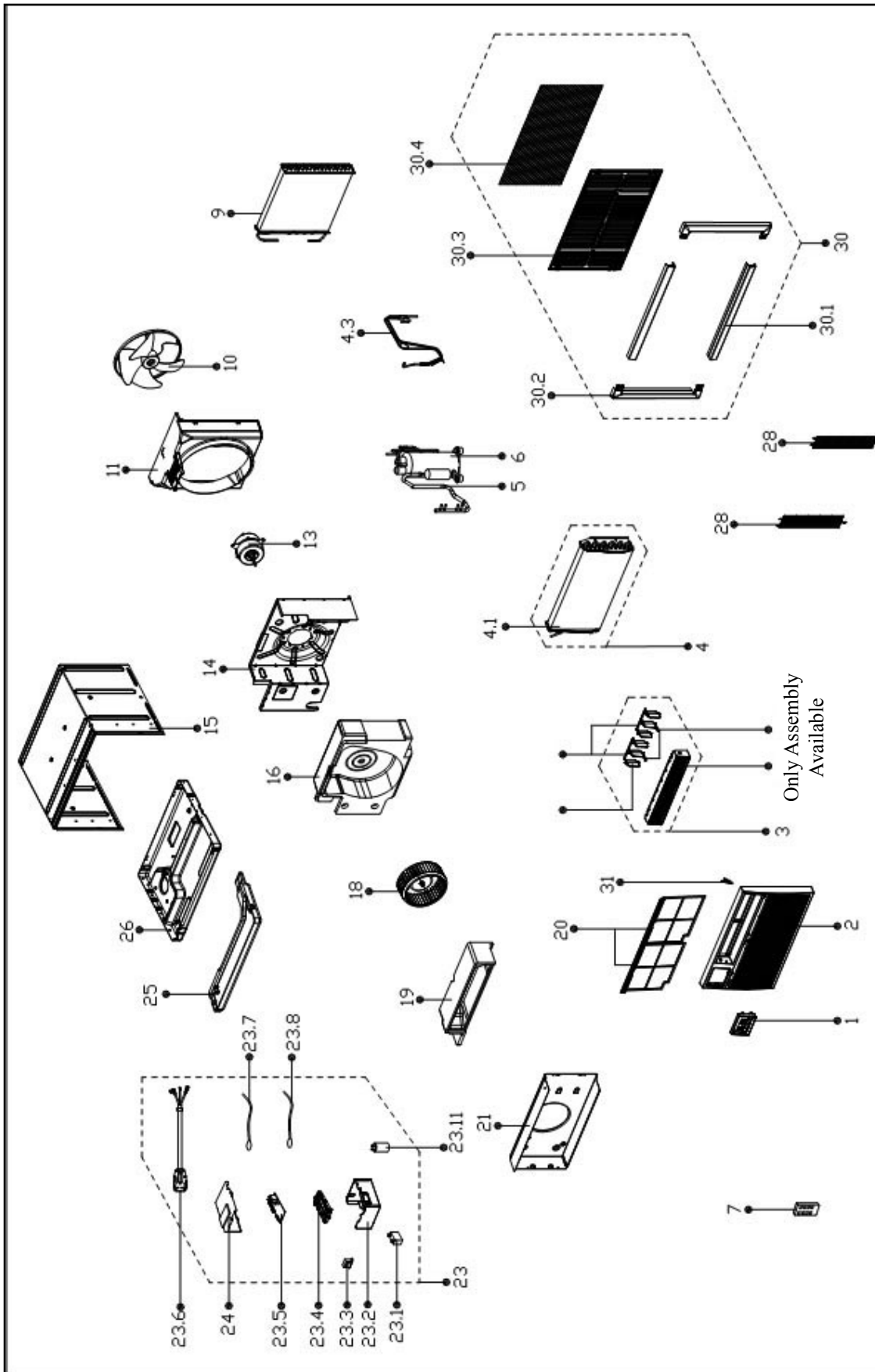




PARTS LIST

Room Air Conditioner with R-410A: BG-81P

EXPLODED VIEW



REPLACEMENT PARTS

| Location | Part Name | Quantity | Part No. |
|----------|-------------------------------------|----------|----------------|
| 1 | Display box assembly | 1 | 17220300A04743 |
| 2 | Front panel | 1 | 12120300A06299 |
| 3 | Air outlet assembly | 1 | 12120300A06796 |
| 4 | Evaporator coil assembly | 1 | 15820300001187 |
| 4.1 | Evaporator | 1 | 15820300001188 |
| 4.3 | Capillary assembly | 1 | 15120300002825 |
| 5 | Discharge pipe assembly | 1 | 15120300001089 |
| 6 | Compressor | 1 | 11103010000932 |
| 7 | Remote controller | 1 | 17317000A06156 |
| 9 | Condenser assembly | 1 | 15820300000585 |
| 10 | Axial flow fan | 1 | 12100105000053 |
| 11 | Rear separating | 1 | 12120300000548 |
| 13 | Asynchronous motor | 1 | 11002012004042 |
| 14 | Front separating board | 1 | 12220300000568 |
| 15 | Cabinet | 1 | 12220300000788 |
| 16 | Rear volute shell | 1 | 12820300000032 |
| 18 | Centrifugal fan | 1 | 12100103000063 |
| 19 | Front volute shell | 1 | 12820300000075 |
| 20 | Air filter | 1 | 12120300A06298 |
| 21 | Box for Electronic heater | 1 | 12220300001094 |
| 23 | Electronic control box assembly | 1 | 17220300000682 |
| 23.1 | Capacitor of fan motor | 1 | 17400101000037 |
| 23.2 | Electronic control box | 1 | 12220300000467 |
| 23.3 | Transformer | 1 | 11203103000120 |
| 23.4 | Bracket of main control board | 1 | 12120300000521 |
| 23.5 | Main control board assembly | 1 | 17120300001833 |
| 23.6 | Power cord | 1 | 17401202000226 |
| 23.7 | Pipe temperature sensor assembly | 1 | 11201007000126 |
| 23.8 | Ambient temperature sensor assembly | 1 | 11201007000003 |
| 23.11 | Capacitor of compressor | 1 | 17400103000052 |
| 24 | Cover of electronic control box | 1 | 12220300001092 |
| 25 | Condenser water tray | 1 | 12820300000059 |
| 26 | Chassis assembly | 1 | 12220300000420 |
| 28 | Grille | 1 | 12220300001103 |
| 28 | Grille | 1 | 12220300001104 |
| 30 | Installation accessory | 1 | 12020300000247 |
| 30.1 | Up and down shutter frame | 2 | 12120300001338 |
| 30.2 | Left and right shutter frame | 2 | 12120300001374 |
| 30.3 | Rear grille | 1 | 12920300000001 |
| 30.4 | Plastic net | 1 | 12120300001299 |
| 31 | Filter guide | 1 | 12120300001302 |

Due to ongoing product improvements, specifications and dimensions are subject to change and correction without notice or incurring obligations. Determining the application and suitability for use of any product is the responsibility of the installer. Additionally, the installer is responsible for verifying dimensional data on the actual product prior to beginning any installation preparations.

Incentive and rebate programs have precise requirements as to product performance and certification. All products meet applicable regulations in effect on date of manufacture; however, certifications are not necessarily granted for the life of a product. Therefore, it is the responsibility of the applicant to determine whether a specific model qualifies for these incentive/rebate programs.

Comfort-Aire®

1900 Wellworth Ave., Jackson MI 49203 • Ph. 517-787-2100 • www.comfort-aire.com



www.marsdelivers.com • www.heatcontroller.com